

Add : 557 Yong Jia Lu, Xu Hui Qu, Shanghai, China

# SUSHI NARAMOTO

## SUSHI & MOLT BAR

We renovated European-style building that is built 130 years ago to sushi restaurant & single malt bar.

this building has been designated protected by Shanghai government.

Because conditions of the design was that does not impair the appearance of the building,

I designed the restaurant as a fusion of European style and authentic traditional design of Japan .

This restaurant has five rooms of different atmosphere .

①BAR COUNTER

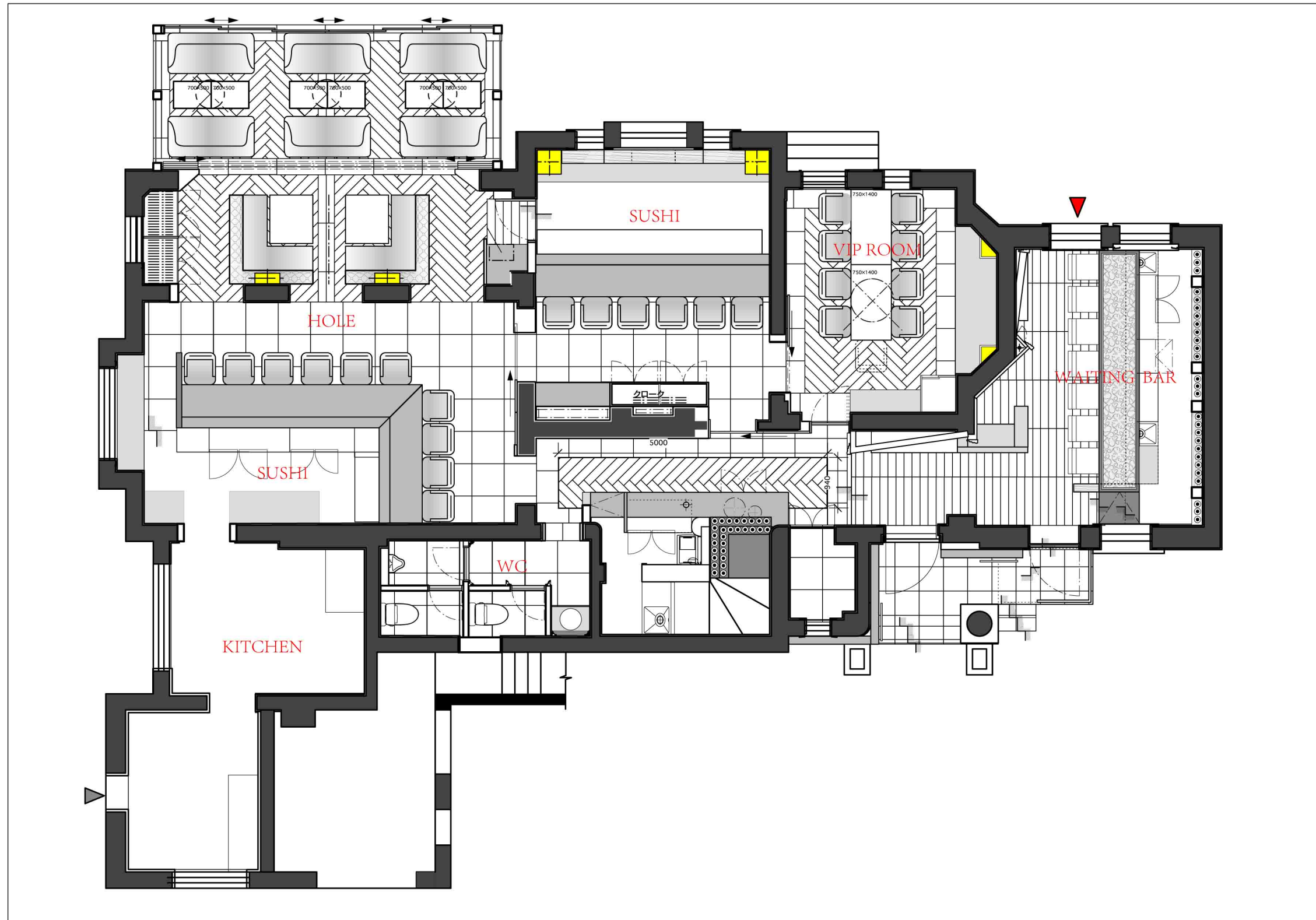
②SUSHI COUNTER

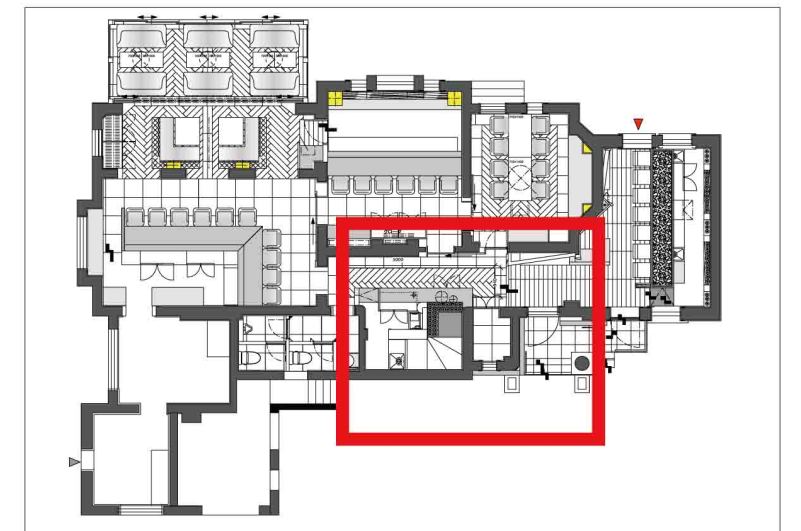
③SUSHI COUNTER 2

④HALL

⑤V.I.P ROOM

This is the finest sushi restaurants in Shanghai.





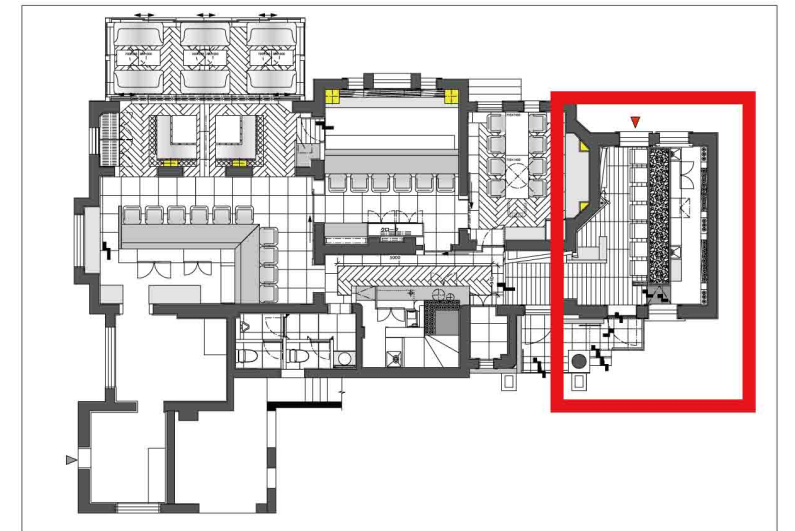


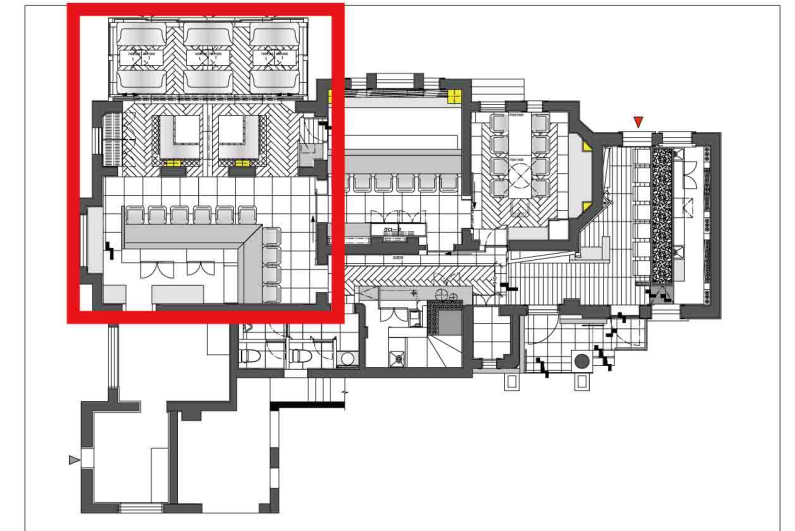
1360

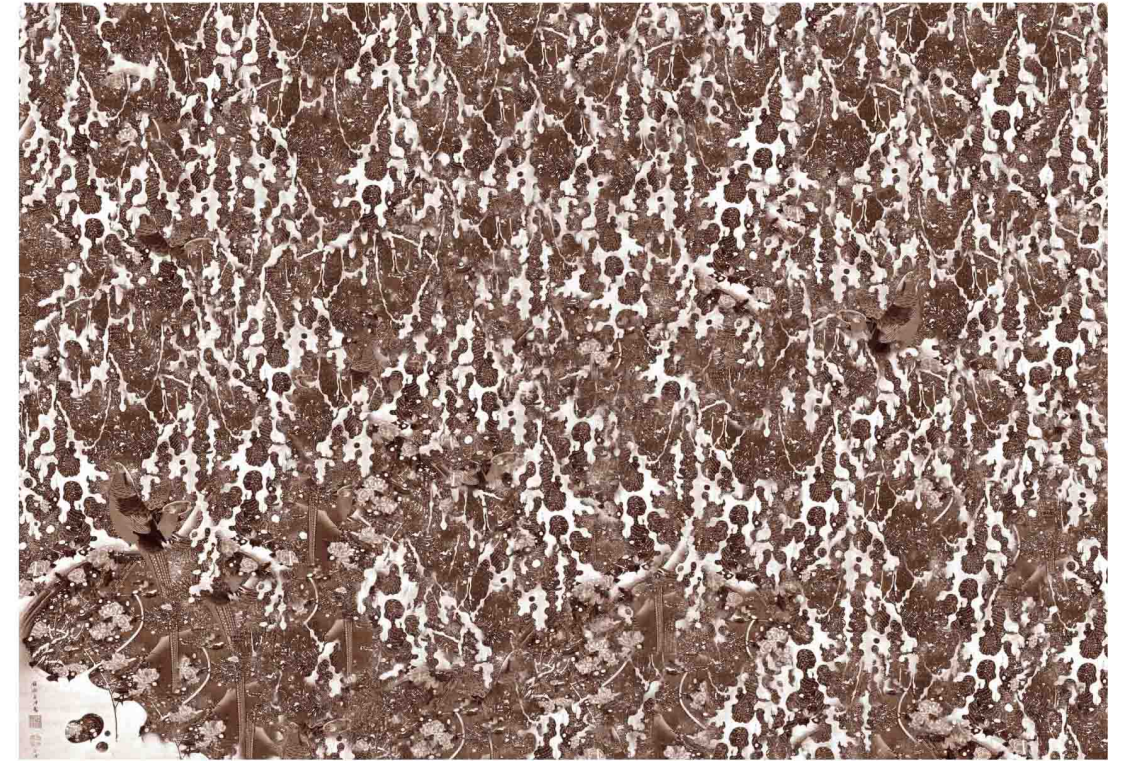
Chateau Cos-d'Estournel Saint-Estep  
 Pomerol Chateau La Conseillante  
 Saint-Julien Bordeaux Graves Consec  
 Chablisienne Jean Collet Laroche  
 Jean Philippe Marchand Lou Dumo  
 Françoise Raveneau Pic J Moreau  
 Denis Montet Bernard Dugat Py  
 Gene Bouvier Henri Rebourseau Rau  
 Combiere Mommessin Andre Bonho  
 Chateau Cos-d'Estournel Saint-Estep  
 Pomerol Chateau La Conseillante  
 Saint-Julien Bordeaux Graves  
 Chablisienne Jean Collet Laroche  
 Jean Philippe Marchand Lou  
 Françoise Raveneau Pi  
 Denis Montet Bern  
 Gene Bouvier  
 Combiere  
 Chateau  
 Pomerol  
 Sai  
 hab  
 Jean  
 ran  
 enis  
 Ren  
 ombier  
 Saint-Jul  
 Chablisienne  
 Jean Philippe Marcham



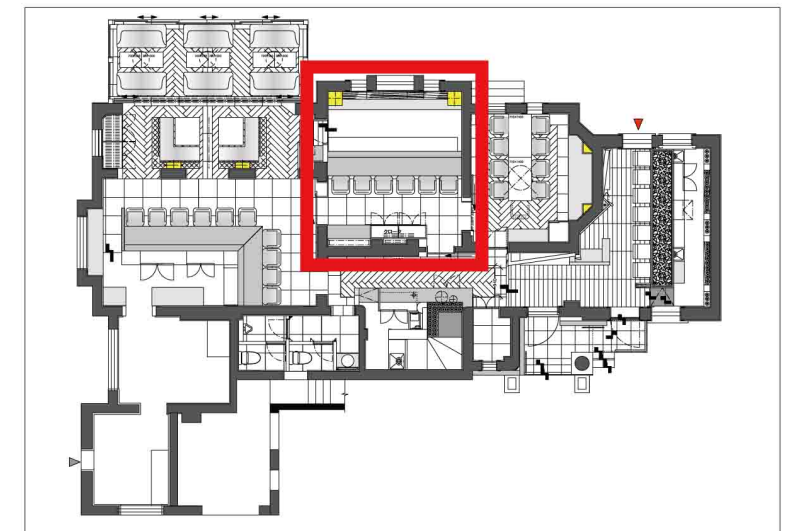
1585

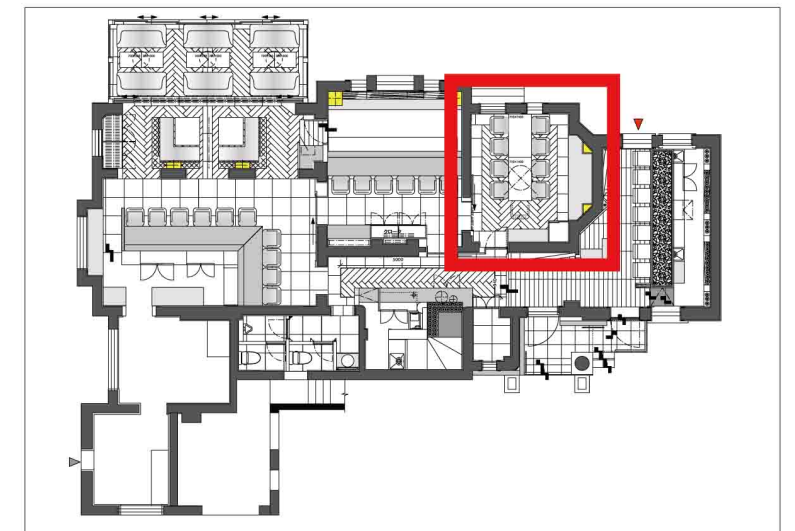


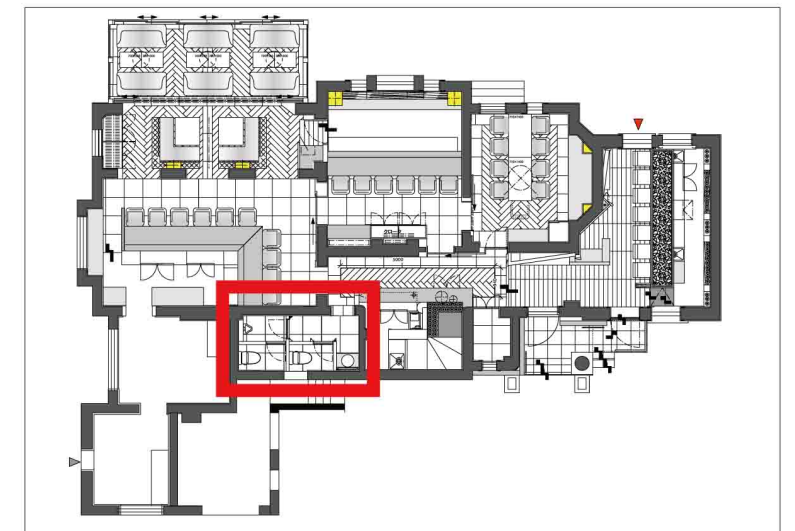




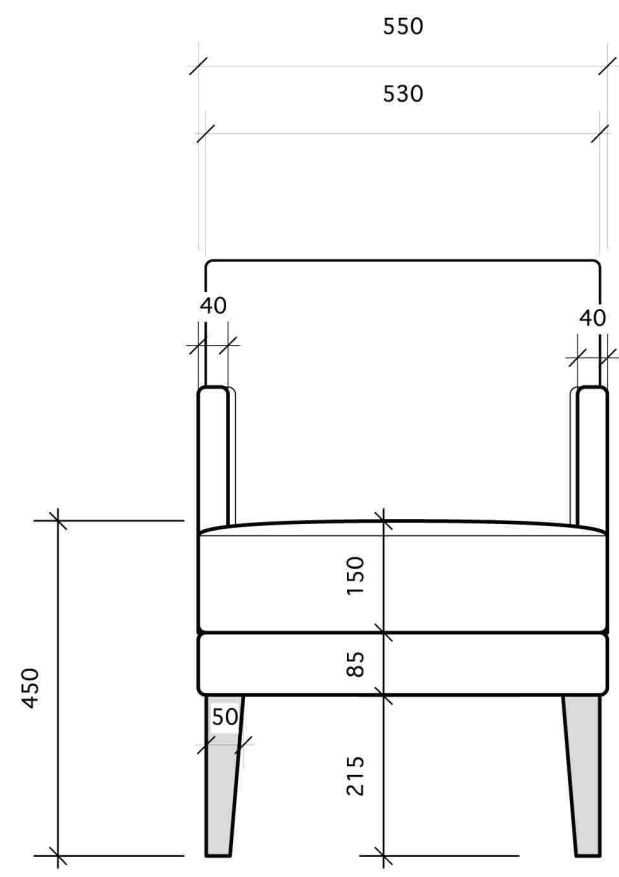
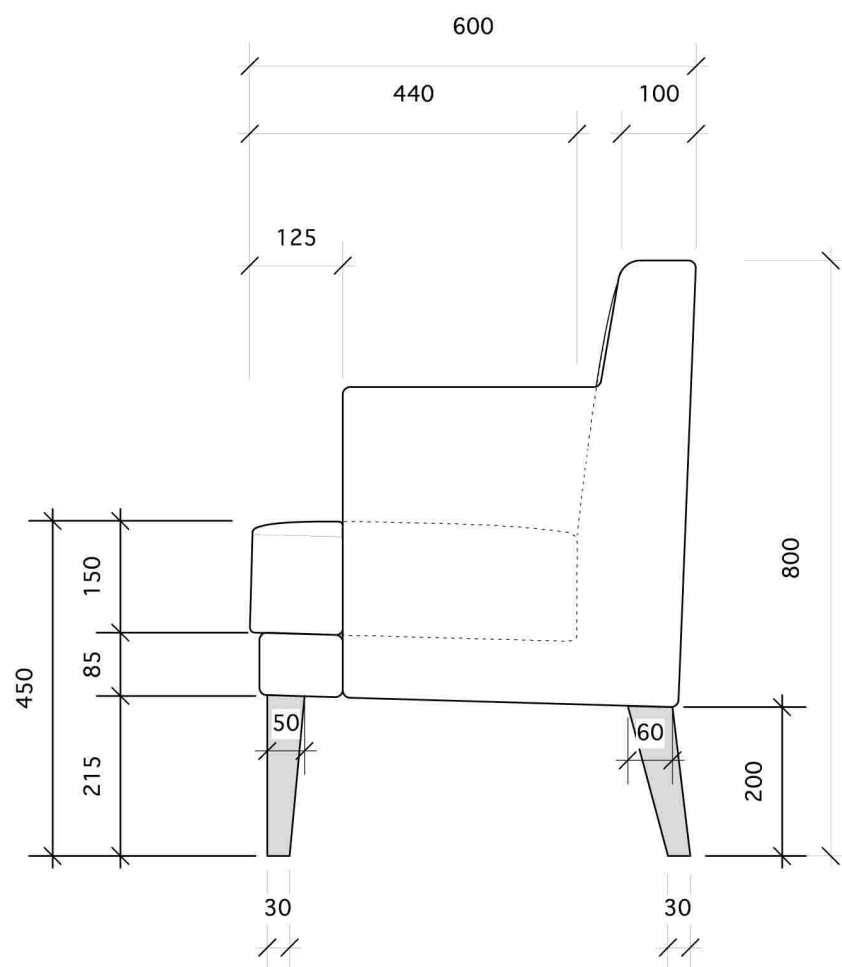
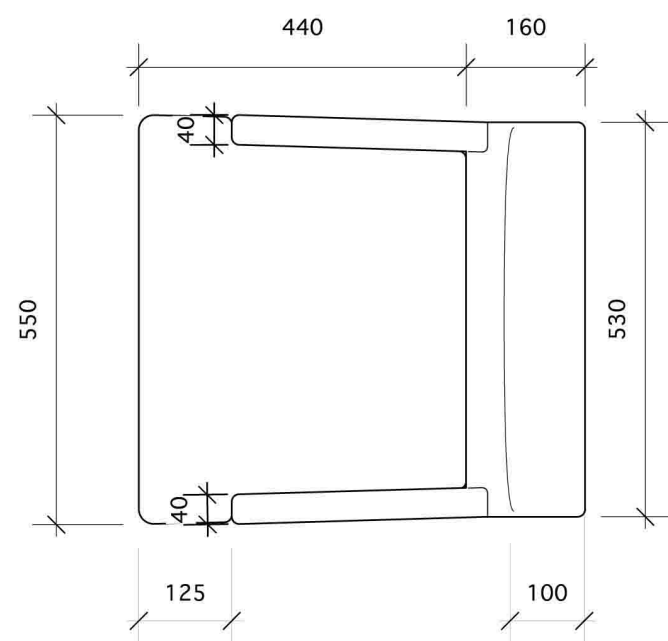
GRAPHIC



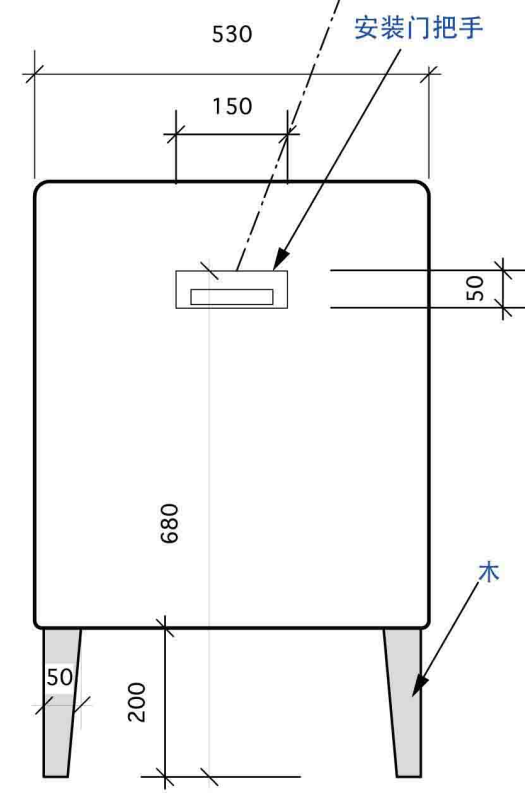
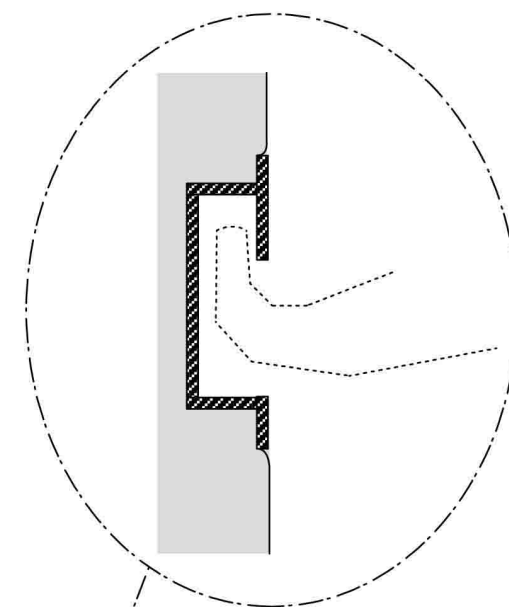


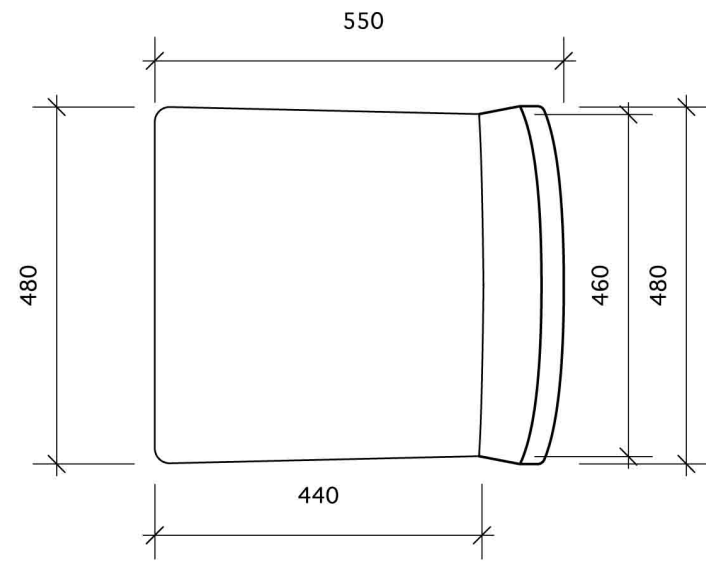




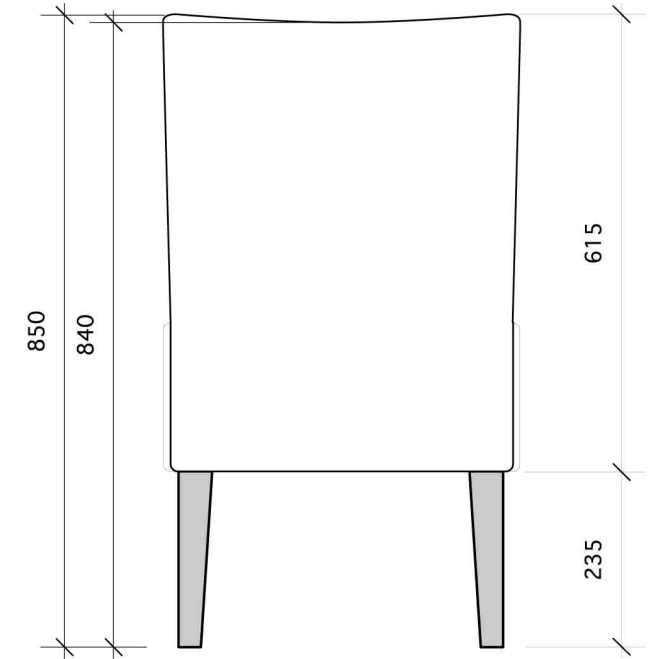
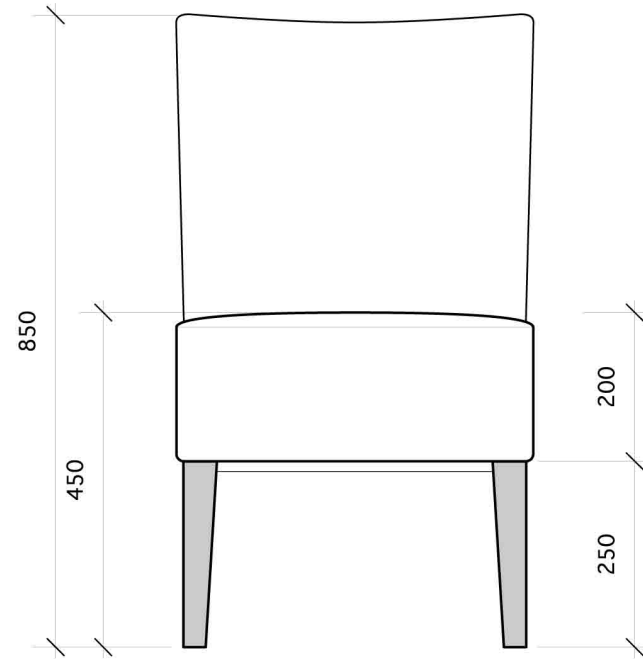
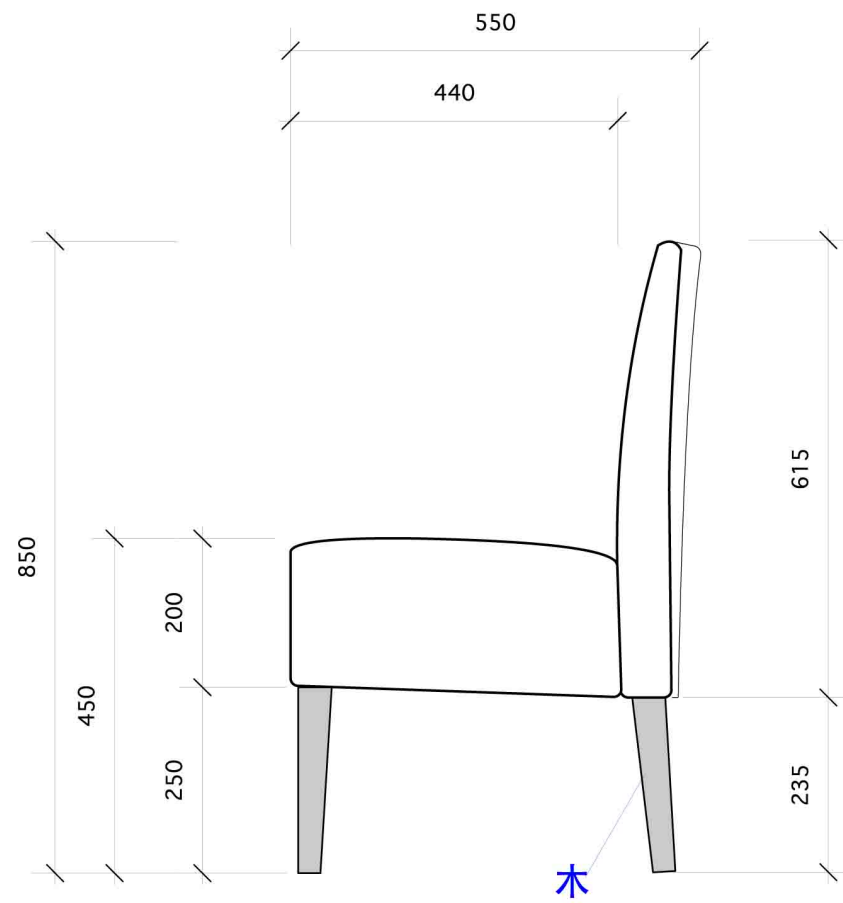


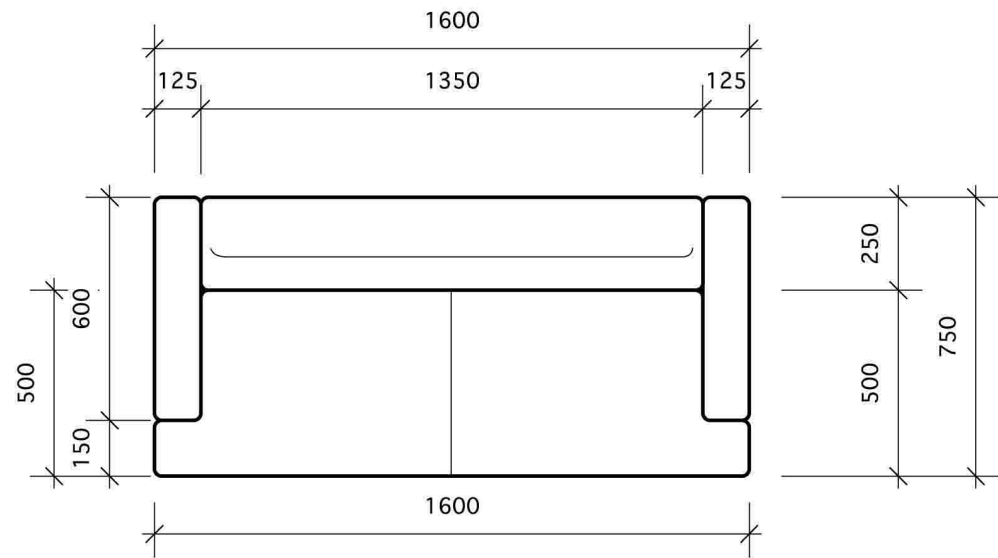
椅子: 鳄鱼人造皮 ×10  
 椅子: 人造皮 驼色 ×15  
 SIZE W550 × D600 × H800 SH450





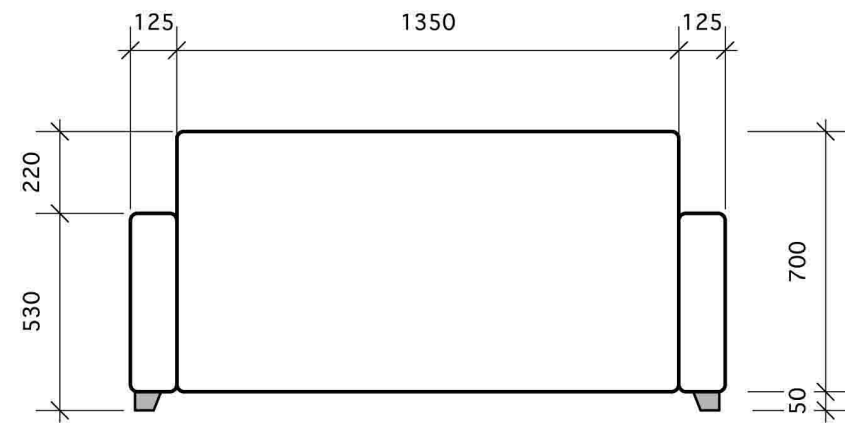
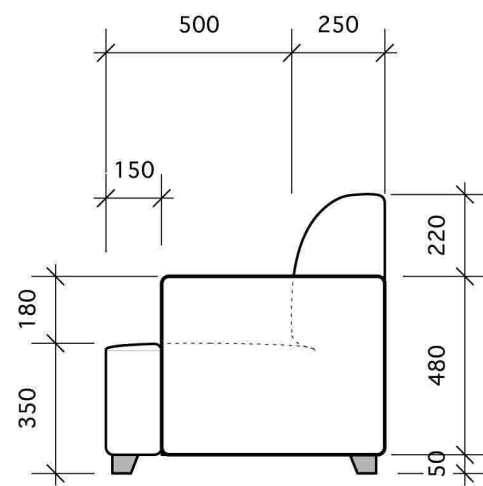
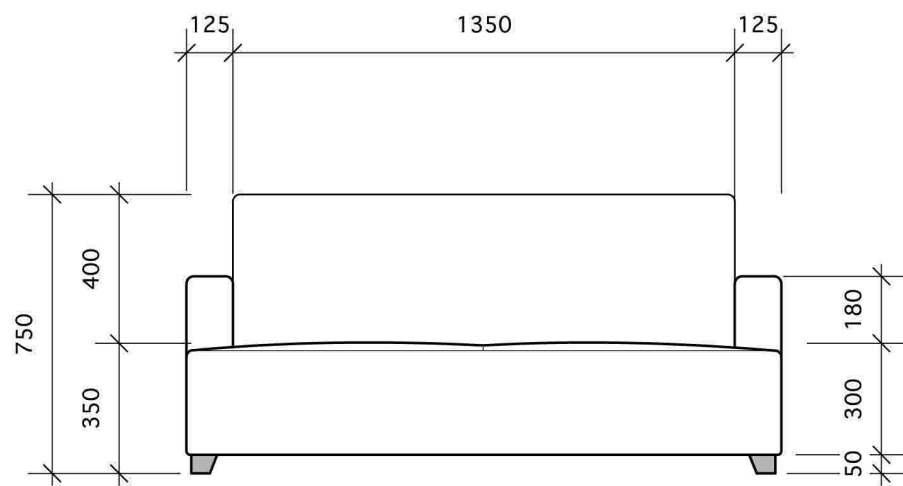
椅子: 鳄鱼人造皮 ×7  
SIZE W480 × D550 × H850 SH450

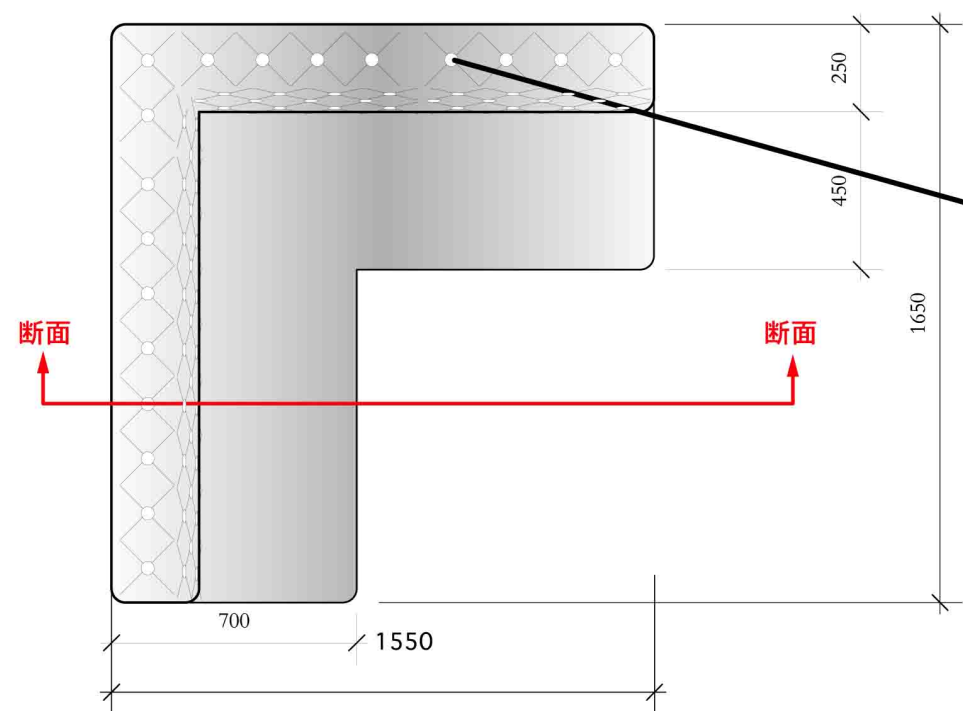




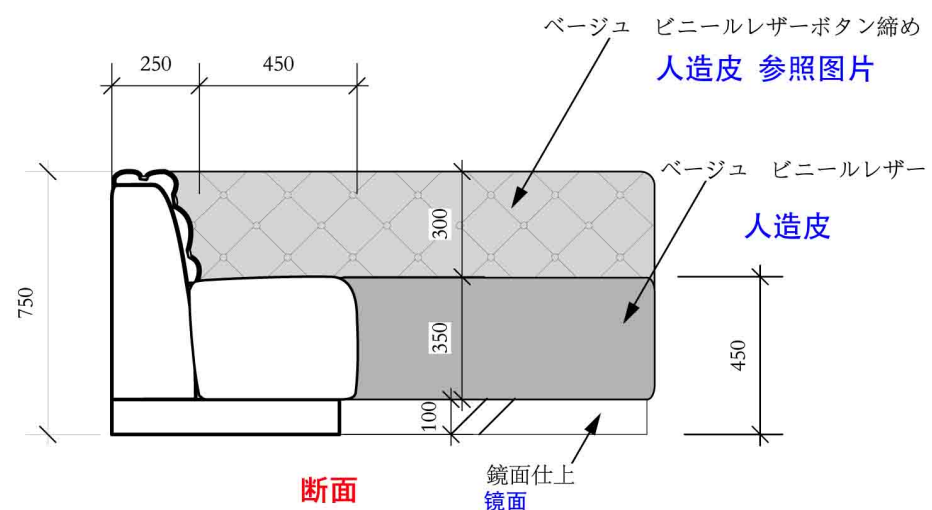
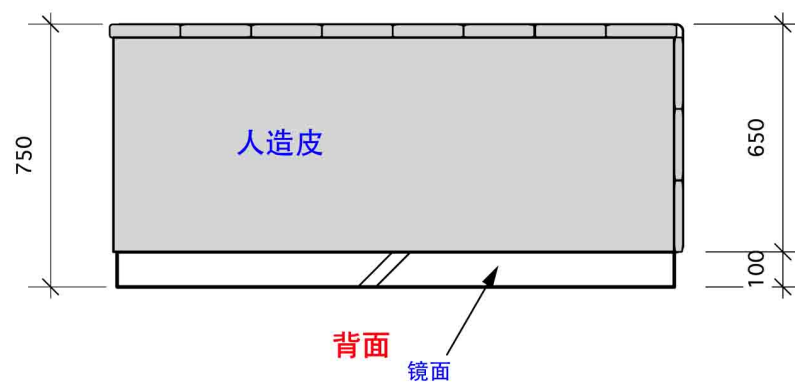
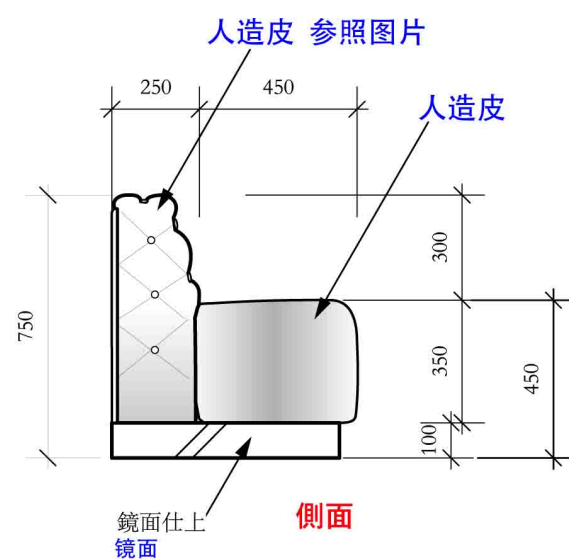
形沙发：鳄鱼人造皮 ×6

SIZE W1600×D750×H750 SH350





人造皮 参照图片



生地サンプルを  
確認の上製作の事  
样品确认后 在做

